

CSHF Series

SPECIFICATION SHEET



CSHF-****X**-C**, CSHF-****X**-2C**,
CSHF-****X**-IS2C** Series
High Frequency Charger Column



The CSHF Series Utilizes Adjustable Crossmembers & Twirl Nuts to Accommodate Most High-Frequency Chargers on the Market Today.

CSHF Series

SPECIFICATION SHEET



Opportunity Charging Column

The MTC Model CSHF-C, CSHF-2C, and CSHF-IS-2C Charger Columns are designed to provide a safe and economical battery charging solution for all sizes of lift truck fleets. The CSHF Series Columns, made of 12 GA tube and formed steel, are designed to accommodate almost any high frequency charger on the market today. The CSHF Series Columns mount to the floor and provide convenient access for opportunity charging.

Features

- Made of powder-coated, heavy-duty tube and plate steel.
- Fully adjustable
- Optional BCR-58H Cable Retractor.



CSHF-2C w/BCR-58H-Cable Retractors



CSHF-C w/BCR-58H-Cable Retractor

CSHF-IS-2C w/BCR-58H-Cable Retractors

Benefits

- Assures long life and ease of sanitation.
- Accommodates almost any high frequency charger on the market today.
- Keeps charger leads out of the way.

Options

Battery Cable Retractor (BCR-58H) employs a heavy-duty spring and safety chain which allow the BCR-58H to bend and extend the battery cable for charging. when charging is complete, simply disconnect the battery cable and the BCR-58H will retract the cable, keeping charger leads out of the way.

Contact the MTC Sales Team at (254) 298-2900, or visit our website www.gomtc.com

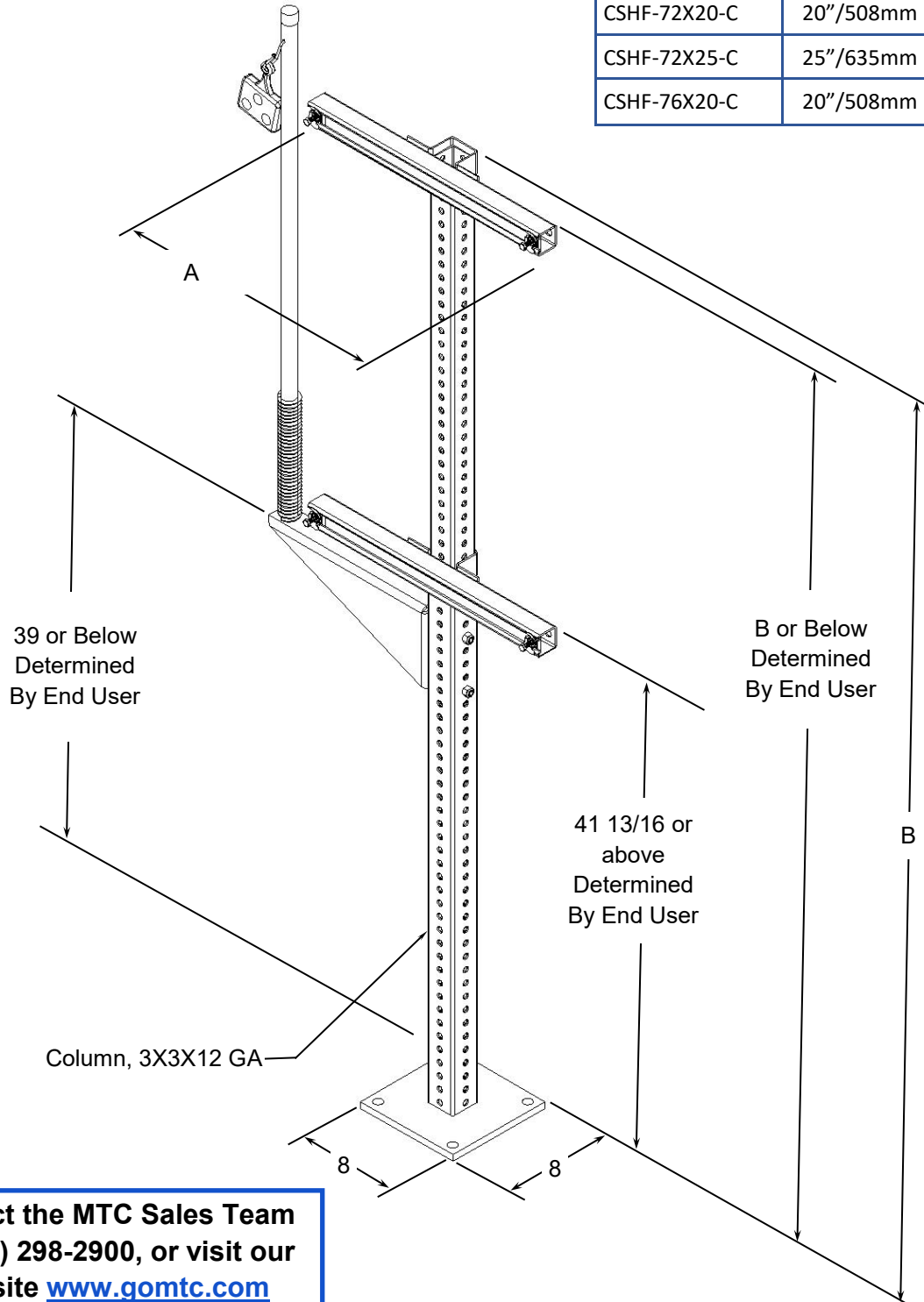
CSHF Series

SPECIFICATION SHEET



CSHF **X**-C Dimensions

| Model | A | B |
|--------------|-------------|--------------|
| CSHF-72X10-C | 10"/254mm | 72"/1828.8mm |
| CSHF-72X17-C | 17"/431.8mm | 72"/1828.8mm |
| CSHF-72X20-C | 20"/508mm | 72"/1828.8mm |
| CSHF-72X25-C | 25"/635mm | 72"/1828.8mm |
| CSHF-76X20-C | 20"/508mm | 76"/1930.4mm |



Contact the MTC Sales Team at (254) 298-2900, or visit our website www.gomtc.com

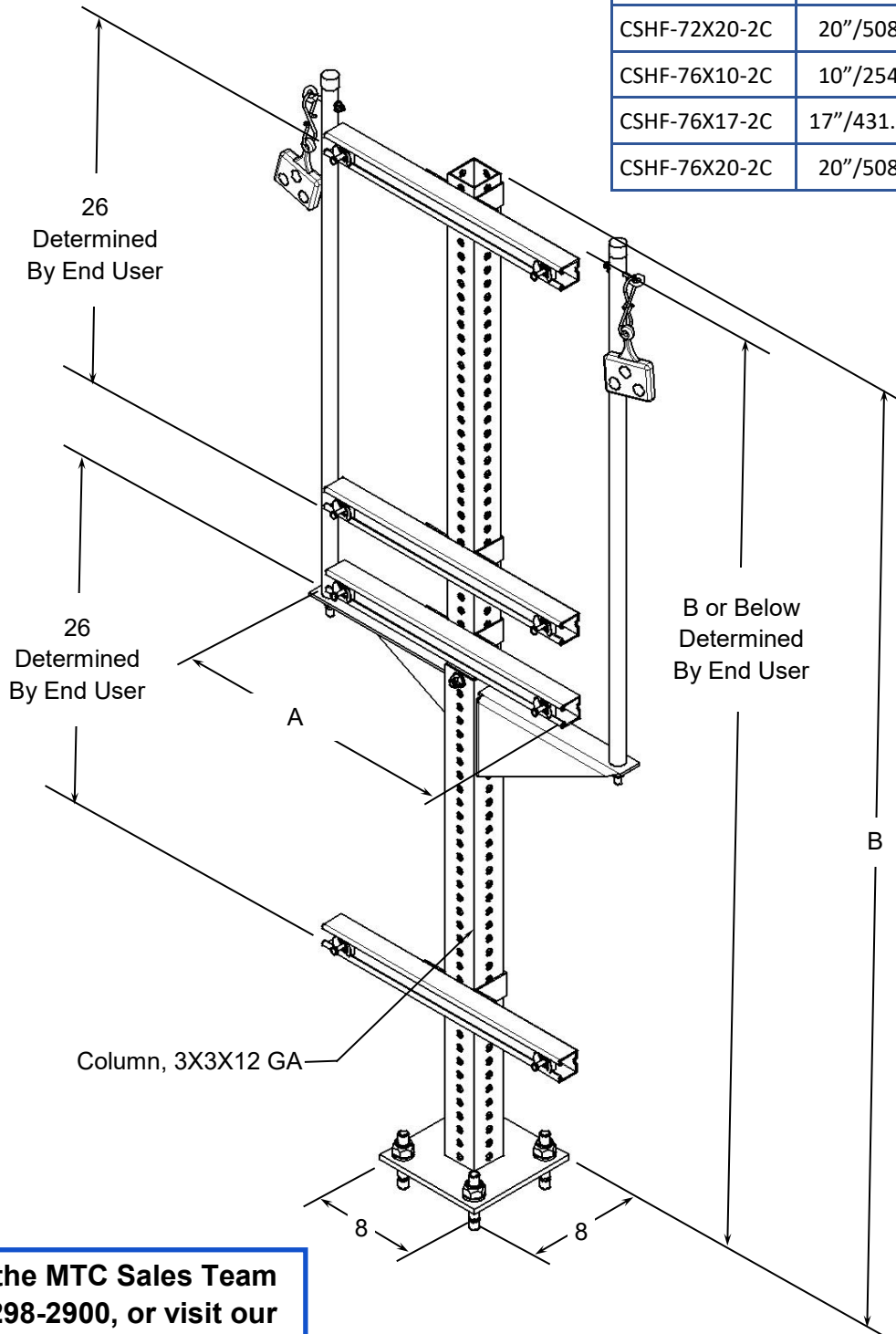
CSHF Series

SPECIFICATION SHEET



CSHF-**X**-2C Dimensions

| Model | A | B |
|---------------|-------------|--------------|
| CSHF-72X10-2C | 10"/254mm | 72"/1828.8mm |
| CSHF-72X17-2C | 17"/431.8mm | 72"/1828.8mm |
| CSHF-72X20-2C | 20"/508mm | 72"/1828.8mm |
| CSHF-76X10-2C | 10"/254mm | 76"/1930.4mm |
| CSHF-76X17-2C | 17"/431.8mm | 76"/1930.4mm |
| CSHF-76X20-2C | 20"/508mm | 76"/1930.4mm |



Contact the MTC Sales Team
at (254) 298-2900, or visit our
website www.gomtc.com

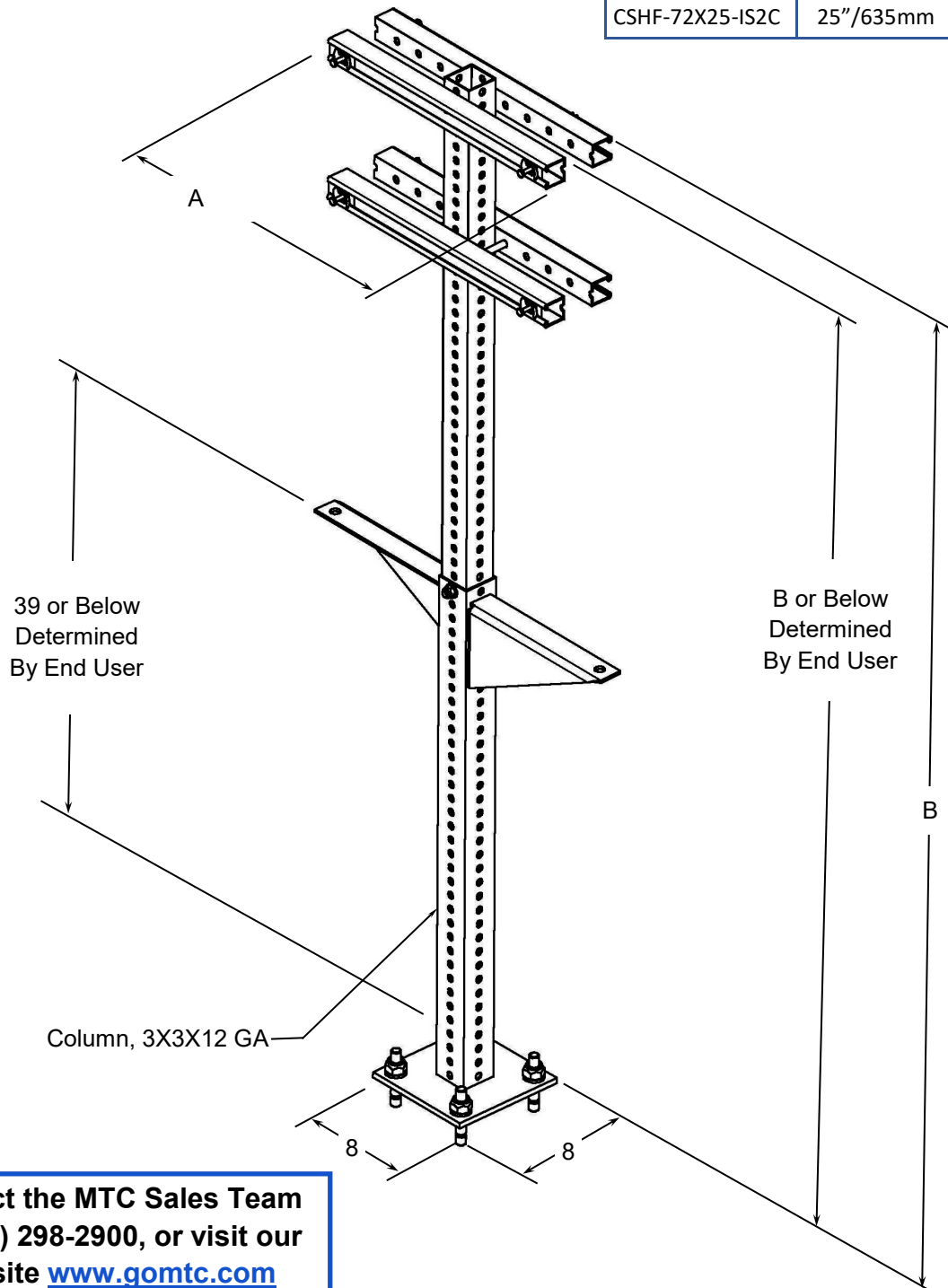
CSHF Series

SPECIFICATION SHEET



CSHF - **X** - IS2C Dimensions

| Model | A | B |
|-----------------|-------------|--------------|
| CSHF-72X10-IS2C | 10"/254mm | 72"/1828.8mm |
| CSHF-72X17-IS2C | 17"/431.8mm | 72"/1828.8mm |
| CSHF-72X20-IS2C | 20"/508mm | 72"/1828.8mm |
| CSHF-72X25-IS2C | 25"/635mm | 72"/1828.8mm |



Contact the MTC Sales Team at (254) 298-2900, or visit our website www.gomtc.com